



Flexible conduit fittings for UTS & UTO plugs

Combination of easy-to-use and reliable solution for discrete wire protection

Waterproof IP67/IP68/IP69K & UV resistant ■ Ideal for Outdoor applications

Conduit locking mechanism ■ Easy to install

Designed for NW conduit profile ■ Compatible with market standard

Ergonomic design ■ Easy handling

Halogen free ■ Environmentally friendly

UTS & UTO Series



Ordering Information

Numbers of contacts	Layout	Shell size	Contacts size	UTS standard Sealed Mated (contacts supplied separately)		UTS Hiseal Sealed Unmated (contacts loaded)		UTO (contacts supplied separately)	
				Male insert	Female insert	Male insert	Female insert	Male insert	Female insert
2	12E2	12	#16	-	-	UTS6FC12E2P	UTS6FC12E2S	-	-
2+ground	142G1	14	#8	-	UTS6FC142G1S	-	-	-	UT06FC142G1SH
3	12E3	12	#16	-	-	UTS6FC12E3P	UTS6FC12E3S	-	-
4	124	12	#16	UTS6FC124P	UTS6FC124S	-	-	UT06FC124PH	UT06FC124SH
	12E4	12	#16	-	-	UTS6FC12E4P	UTS6FC12E4S	-	-
5	14E5	14	#16	-	-	-	UTS6FC14E5S	-	-
7	147	14	#16	-	UTS6FC147S	-	-	-	UT06FC147SH
	14E7	14	#16	-	-	-	UTS6FC14E7S	-	-
8	128	12	#16	UTS6FC128P*	UTS6FC128S (V)	-	-	UT06FC128PH (V)	UT06FC128SH (V)
	12E8	12	#16	-	-	UTS6FC12E8P	UTS6FC12E8S	-	-
10	1210	12	#20	UTS6FC1210P*	UTS6FC1210S (V)	-	-	UT0W6FC1210PH (V)	UT0W6FC1210SH (V)
	12E10	12	#20	-	-	UTS6FC12E10P	UTS6FC12E10S	-	-
12	1412	14	#16	-	UTS6FC1412S (V)	-	-	-	UT06FC1412SH (V)
	14E12	14	#16	-	-	-	UTS6FC14E12S	-	-
14	12E14	12	#20	-	-	UTS6FC12E14P	UTS6FC12E14S	-	-
15	14E15 (2)	14	Mixed power	-	-	-	UTS6FC14E15S	-	-
16	1619	16	#16	-	-	-	-	-	UT06FC1619SH
	1626	16	#20	-	-	-	-	-	UT0W6FC1626SH
18	14E18	14	#20	-	-	-	UTS6FC14E18S	-	-
19	1419	14	#20	-	UTS6FC1419S	-	-	-	UT0W6FC1419SH
	14E19	14	#20	-	-	-	UTS6FC14E19S	-	-
23	1823	18	#16	-	UTS6FC1823S	-	-	-	UT06FC1823SH
28	2028	20	#16	-	-	-	-	-	UT06FC2028SH
32	1832	18	#20	-	UTS6FC1832S	-	-	-	UT0W6FC1832SH
	18E32	18	#20	-	-	-	UTS6FC18E32S	-	-
35	2235	22	#16	-	-	-	-	-	UT06FC2235SH
41	2041	20	#20	-	-	-	-	-	UT0W6FC2041SH
48	2448	24	#16	-	-	-	-	-	UT06FC2448SH
55	2255	22	#20	-	-	-	-	-	UT0W6FC2255SH
61	2461	24	#20	-	-	-	-	-	UT0W6FC2461SH

Note: connector and backshell delivered without flexible conduit

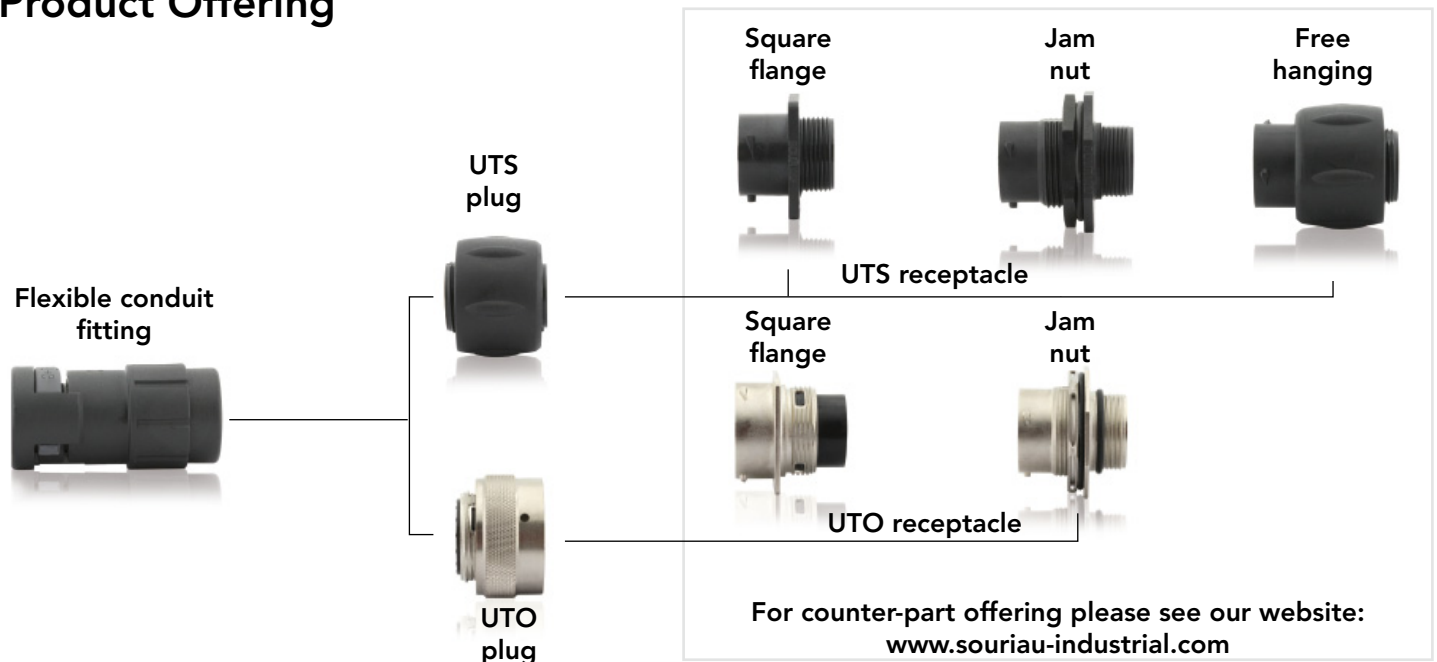
(V) Samples on stock

(1) 14E12: 4 contacts #16 + 8 contacts #20

(2) 14E15: 1 contact #16 + 14 contacts #20

UTS & UTO Series

Product Offering



Technical Features

Environmental:

- From -40°C to +105°C
- Flammability rating: UL 94V0 I2F3 according to NFF 16101 and NFF 16102
- UV resistant
- Salt spray: > 500 Hours
- Sealing: IP67, IP68 & IP69K
- Fluid resistant: Oil and gas, Mineral oil, basic bath

Material:

- Backshell: Thermoplastic Polyamid 6
- Halogen free
- RoHS

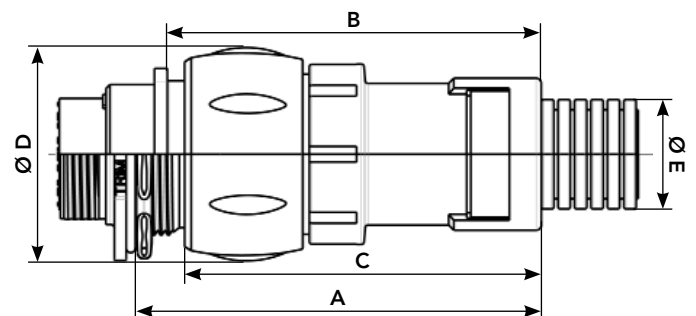


Dimensions

UTS Series

Size	A Jam nut	B Square flange	C	Ø D	Ø E
12	71.1	64.5	61	30.1	NW12
14	71.1	64.5	61	35.1	NW12
18	79.4	72.7	69.2	42	NW17

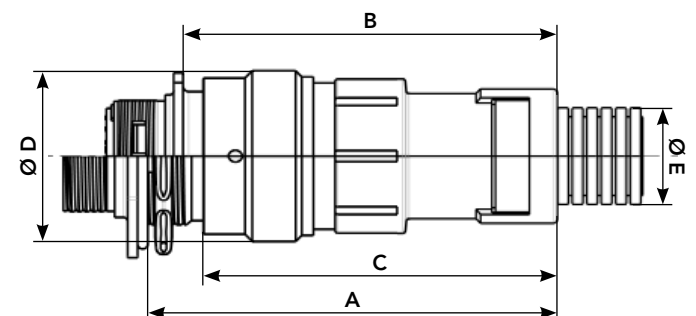
Ø E: flexible conduit diameter



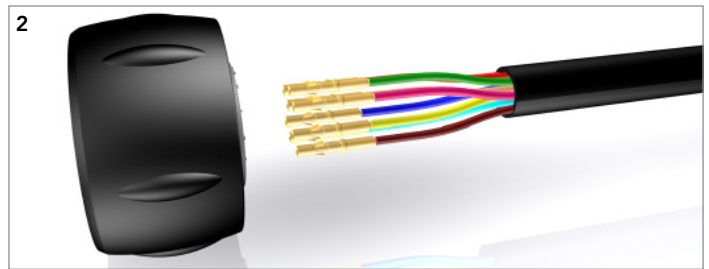
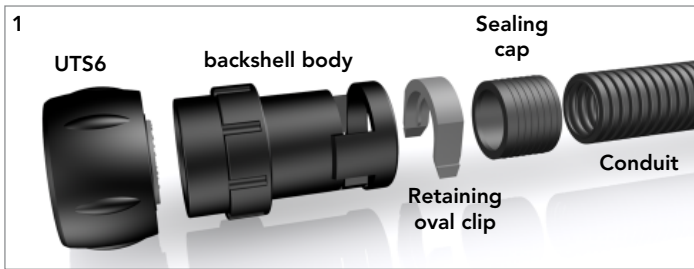
UTO Series

Size	A Jam nut	B Square flange	C	Ø D	Ø E
12	71.1	64.5	60.9	26.1	NW12
14	71.1	64.5	60.9	29.3	NW12
16	79.4	72.8	69.2	32.4	NW17
18	79.4	72.8	69.2	35.2	NW17
20	84.5	76.4	71.1	38.8	NW23
22	84.6	76.4	71.1	42.0	NW23
24	84.4	76.2	70.9	45.0	NW29

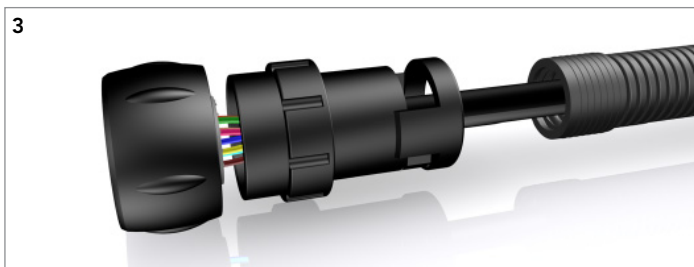
Ø E: flexible conduit diameter



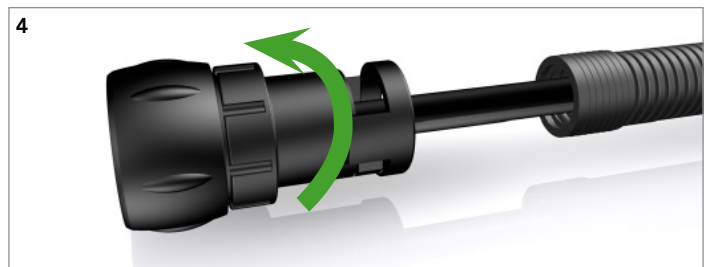
Assembly Instructions



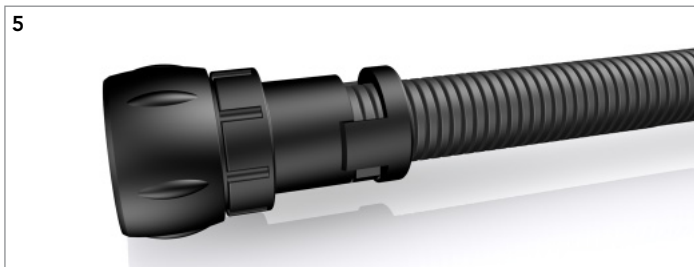
Crimp the contacts and locate them in their cavities. Check the retention by slightly pulling the cable.



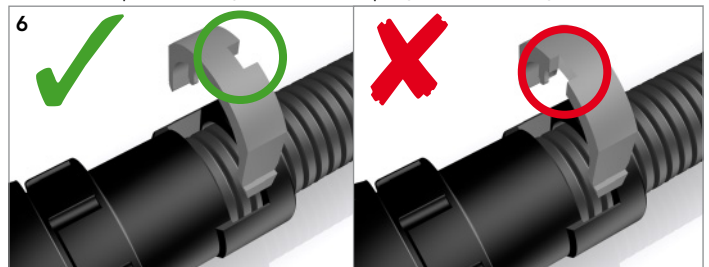
To achieve optimum sealing, push the sealing cap completely over the conduit. Conduit adapter not provided by SOURIAU.



Screw the fitting onto the plug thread. Use a product such as Loctite to ensure adequate sealing between the plug and the fitting.



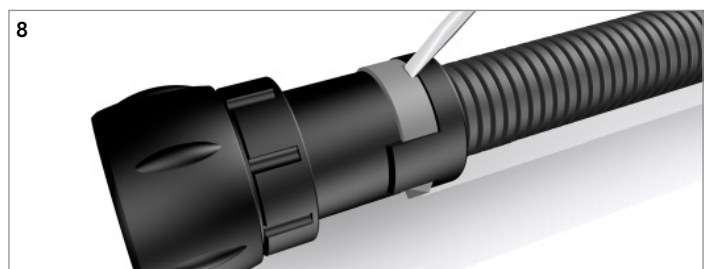
Push conduit with sealing cap into the fitting until sealing cap is no longer visible in the locking element window.



Orientate the oval retaining clip as illustrated and locate it in the slot as shown.



Push the retaining clip into backshell body.



To release the locking mechanism, use a screwdriver.

SOURIAU

www.souriau-industrial.com
contactindustry@souriau.com (Europe - Asia - Africa)
technicalsupport@souriau.com (North America)

Esterline
Connection Technologies